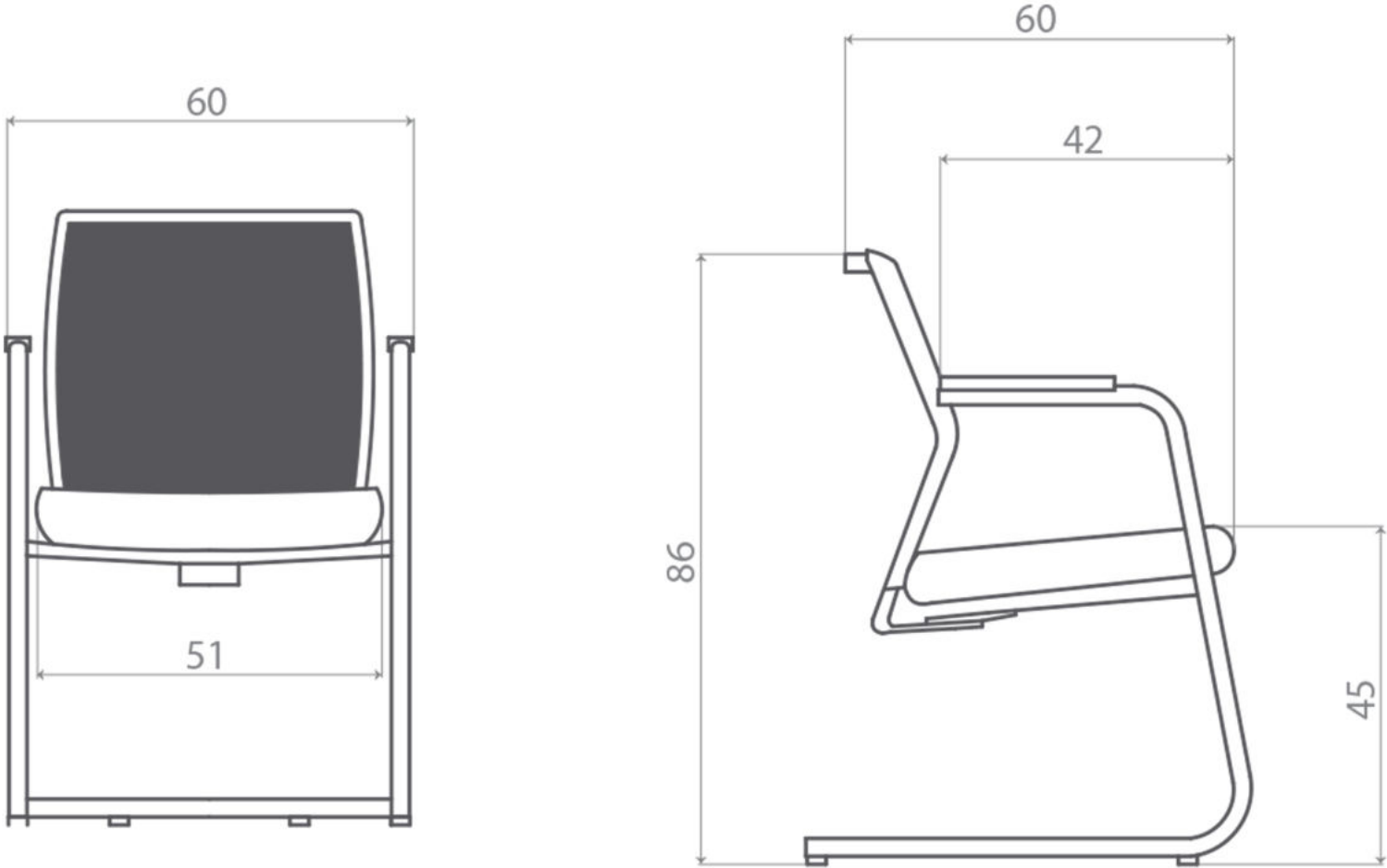


FILE 3



FILE 3



Dimensions in: cm