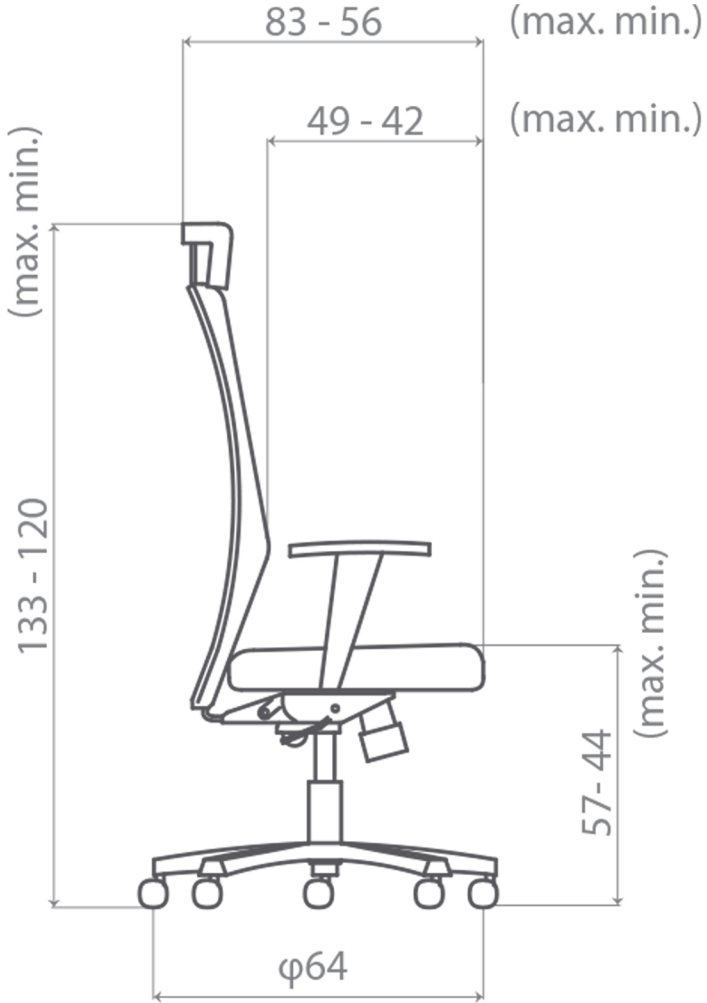
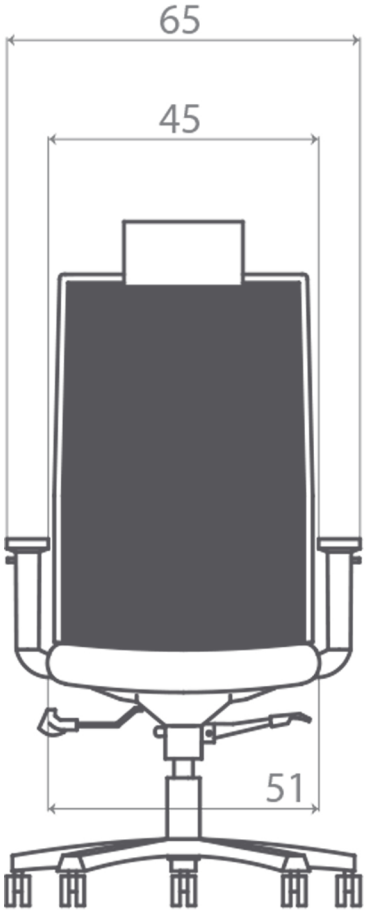


FILE 1



FILE

FILE 1



Dimensions in: cm